

**FEATURES:**

- Meeting the TIA/EIA-568-C.2, ISO/IEC11801 and EN50173-1 specifications
- Complying with category 6A patch cord testing performance requirements
- Connector accepts 22-26 AWG solid and stranded shielded cables
- Supporting T568 A&B wiring & easy installation
- Terminating cable without tools
- Ideal for industrial applications
- There is 8 directions (8 x 45°) can be rotated
- Temperature range: -10° to 60°



**CHARACTERISTICS:**

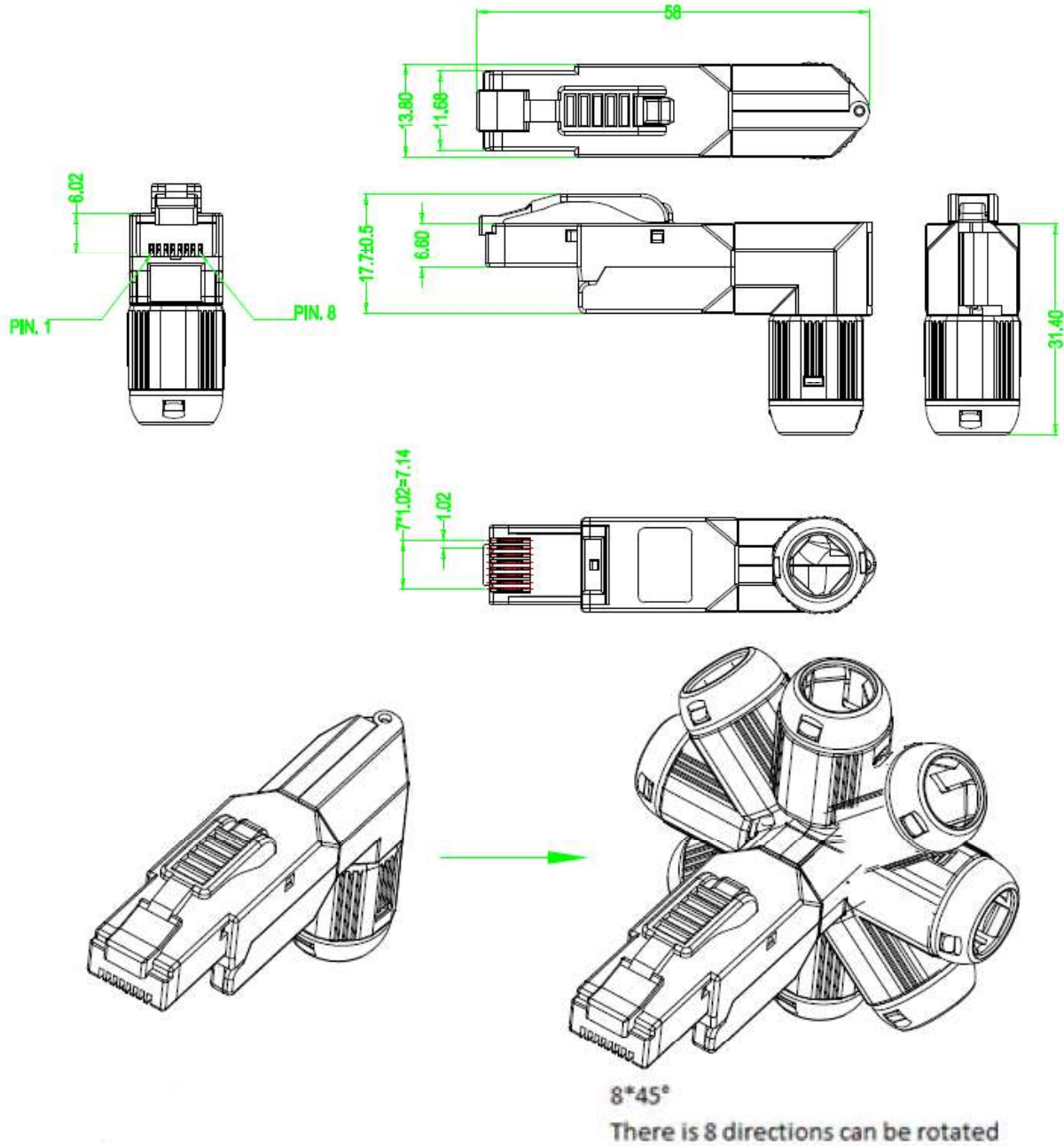
|                       |   |
|-----------------------|---|
| IDC Connector         | Characteristics                           |
| Operating Life        | Minimum 250 re-terminations               |
| Contact Material      | Phosphor bronze                           |
| IDC Contact Plating   | 100µ inch nickel plated                   |
| IDC Material          | PC, UL94 V-0                              |
| RJ45 Plug             | Characteristics                           |
| Contact Plating       | 50µ Inch Gold plated over Phosphor Bronze |
| Operating Life        | Minimum 1500 re-insertion                 |
| Housing Material      | PC, UL94 V-0                              |
| Printed Circuit Board | Characteristics                           |
| Materials             | FR-4, UL94 V-0                            |
| Thickness             | 1.6 mm                                    |

**APPLICATIONS:**

- 10G BASE-T, 1000BASE-T/TX, 100BASE-TX, 10BASE-T
- Voice

*Premium Line Systems GmbH reserves the right to change specifications without prior notice.*

**DRAWING:**



**ORDERING INFORMATION:**

|             |  |
|-------------|--|
| Part NO.    | 159210011  |
| Description | Premium Line Cat.6A angled shielded toolless RJ45 plug                               |
| Packing     | 1pc/ box, 250pcs/ carton<br>carton size: 53*31*23 cm weight N.W. 9.9 KG G.W. 11.6 KG |

*Premium Line Systems GmbH reserves the right to change specifications without prior notice.*