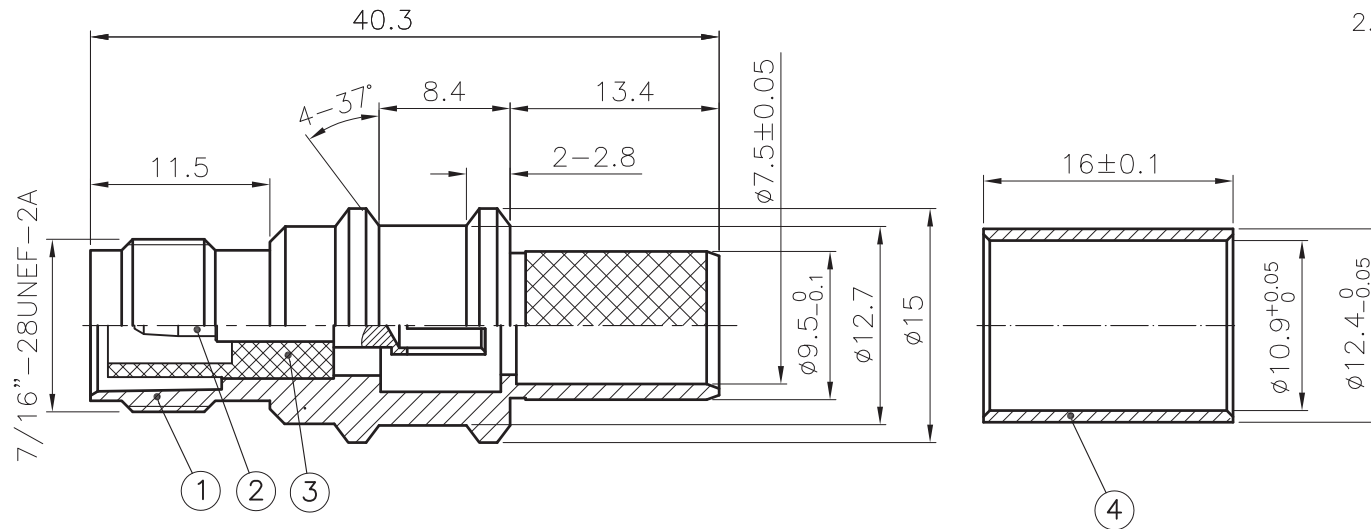


Part Reference: 390L40-EZCT7

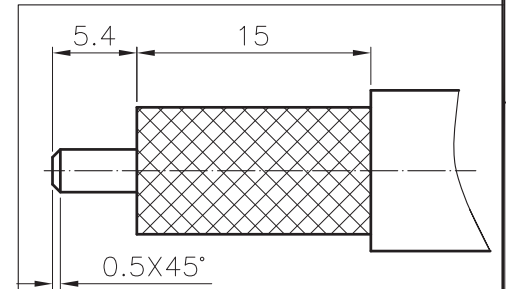
REV.	DATE	DESCRIPTION
A	2014.11.25	

- 1. CRIMPED FERRULE
HEX. CRIMP SIZE 0.429"
- 2. CONTACT PIN SOLDERLESS



- 1. ELECTRICAL :
 - 1.1. Nominal Impedance : 50Ω ;
 - 1.2. Frequency range : 0~3GHz ;
 - 1.3. VSWR : ≤1.25 ;
 - 1.4. Contact Resistance :
 - Center Contact : ≤3 mΩ ;
 - Outer Contact : ≤2mΩ ;
 - 1.5. Dielectric Voltage : 750Vrms ;
 - 1.6. Insulation Resistance : ≥5000MΩ ;
 - 1.7. Insertion loss:According as the cable ;
- 2. Mechanical :
 - 2.1. Interface Dimensions:IEC60169-17 ;
 - 2.2. Durability : 500cycles min ;
- 3. Environmental :
 - 3.1. Operating Temp. Range:-40℃~+80℃ ;

- 4. Material and plating :
 - BODY : BRASS , NICKEL PLATING ;
 - CENTER CONTACT : BRONZE , GOLD PLATING ;
 - INSULATOR : PTFE ;
 - FERRULE : SOFT BRASS , NICKEL PLATING ;



TITLE RPTNC FEMALE SOLDERLESS CONTACT JACK FOR LMR400 CABLE	REV.	A	SCALE	2/1	PART NO.	
	PROJECTION				APPROVED	DATE
DRAWING NO.	UNLESS OTHERWISE SPECIFIED TOLERANCES TOLERANCES			CHECKED	DATE	
	1. * ±0.2	4 T.I.R 0.1	5. SURFACE ROUGHNESS Ra1.6	DRAWN	DATE	
	2. ** ±0.1	6. EDGES CO.15 MAX.				
	3. ANGLE ±3°					
	* MAJOR DIMENSION					