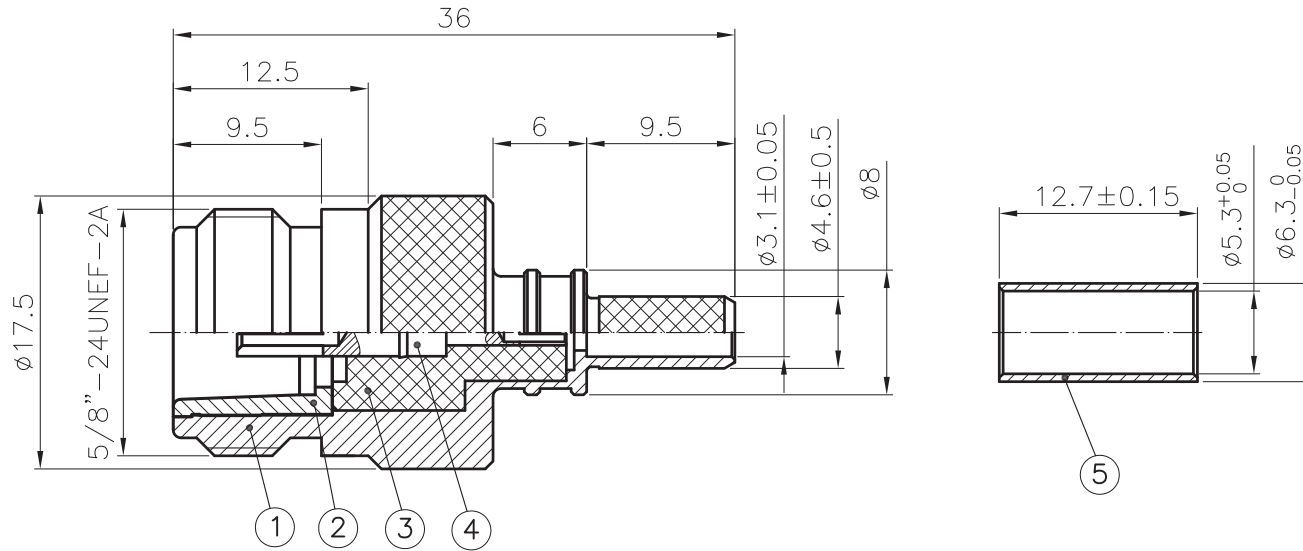


Part Reference: 390L19-EZCN2

REV.	DATE	DESCRIPTION
A	2014.11.20	

1. CRIMPED FERRULE
HEX. CRIMP SIZE 0.213"
2. CONTACT PIN SOLDERLESS



1. ELECTRICAL :

- 1.1. Nominal Impedance : 50Ω ;
- 1.2. Frequency range : $0 \sim 6\text{GHz}$;
- 1.3. VSWR : ≤ 1.35 ;
- 1.4. Contact Resistance :
Center Contact : $\leq 1.5\text{ m}\Omega$;
Outer Contact : $\leq 1\text{ m}\Omega$;
- 1.5. Dielectric Voltage : 750Vrms ;
- 1.6. Insulation Resistance : $\geq 5000\text{M}\Omega$;
- 1.7. Insertion loss: 0.1dB(DC-3GHz) ;

2. Mechanical :

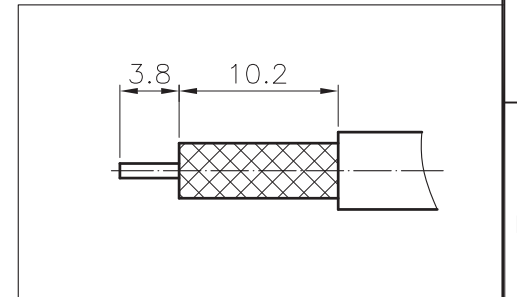
- 2.1. Interface Dimensions: IEC60169-16 ;
- 2.2. Durability : 500cycles min ;

3. Environmental :

- 3.1. Operating Temp. Range: $-40^\circ\text{C} \sim +80^\circ\text{C}$;

4. Material and plating :

BODY : BRASS, NICKEL PLATING ;
 OUTER CONTACT : BRASS, NICKEL PLATING ;
 CENTER CONTACT : BRONZE, GOLD PLATING ;
 INSULATOR : PTFE ;
 FERRULE : SOFT BRASS NICKEL PLATING .



TITLE: FEMALE SOLDERLESS CONTACT JACK FOR LMR195 CABLE	REV.	A	SCALE	2/1	PART NO.	
	PROJECTION			APPROVED		
DRAWING NO.	UNLESS OTHERWISE SPECIFIED TOLERANCES				CHECKED	
	1. * ± 0.2		4 T.I.R 0.1		DATE	
		2. ** ± 0.1		5. SURFACE ROUGHNESS Ra1.6		DRAWN
		3. ANGLE $\pm 3^\circ$		6. EDGES CO.15 MAX.		
				* MAJOR DIMENSION		
						DATE