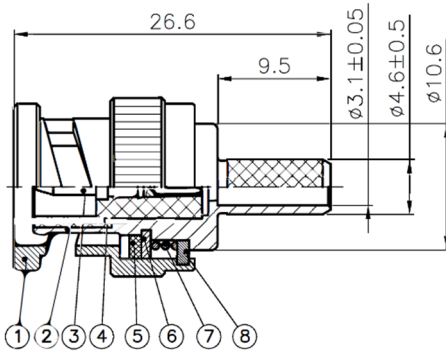


Part No: 390L19EZCB1
Description: BNC Male Solderless Contact Male Plug for ANT-195



Construction

Coupling Nut (1)	: Nickel Plated Brass
Body (2)	: Nickel Plated Brass
Centre Pin (3)	: Gold Plated Bronze
Insulator (4)	: Polytetrafluoroethylene (PTFE)
Gasket (5)	: Silicone Rubber
C-Ring (6)	: -
Spring (7)	: -
Washer (8)	: -
Ferrule (9)	: Nickel Plated Soft Brass

Electrical Characteristics

Impedance	: $50 \Omega \pm 2$
Capacitance @ 1 kHz	: $80 \text{ pF/m} \pm 5$
Velocity of Propagation	: 85 %
Conductor Resistance @ 20°C	: $\leq 4.7 \Omega / \text{km}$
Screen Resistance @ 20°C	: $\leq 5.61 \Omega / \text{km}$
Peak Power	: 16.0 kW

Attenuation @ 20°C

Frequency (MHz)	Attenuation (dB/100ft)	Attenuation (dB/100m)	Frequency (MHz)	Attenuation (dB/100ft)	Attenuation (dB/100m)
30	0.8	2.5	1500	5.1	16.7
50	1.0	3.2	1800	5.6	18.3
150	1.5	4.9	2000	5.9	19.3
220	1.9	6.2	2500	6.7	21.9
450	2.7	8.8	5800	11.2	36.5
900	3.9	12.8			

Return Loss @ 20°C

Frequency (MHz)	Return Loss (dB)
30-3000MHz	≥ 15

Physical Characteristics

FS Cables
Shoal Export

01727 840 841
+44 1727 849 841

sales@fscables.com
sales@shoal-export.com

www.fscables.com
www.shoal-export.com

Part Number: 390L40-F00
Date: 17/09/2020
Revision: 1.1
Author: GB Checked: GB
Page Number: 1 of 2

Information and images on this technical datasheet are intended for guidance only and products may vary due to manufacturing changes, technical improvements and commercial factors. We reserve the right to amend the product information without notice or liability.

Part No: 390L19EZCB1
Description: BNC Male Solderless Contact Male Plug for ANT-195



Overall Diameter : 10.3 mm (± 0.20 mm)
Bending Radius : 5 x OD
Temperature Rating : -40°C to +75°C
Weight : 100 kg/km

Standards

RoHS3 Compliant : Yes
UV & Weather Resistant : ISO 4892-3
CE Compliant : CPR (305/2011)
CPR Classification : Fca (EN50575:2014+A1:2016)