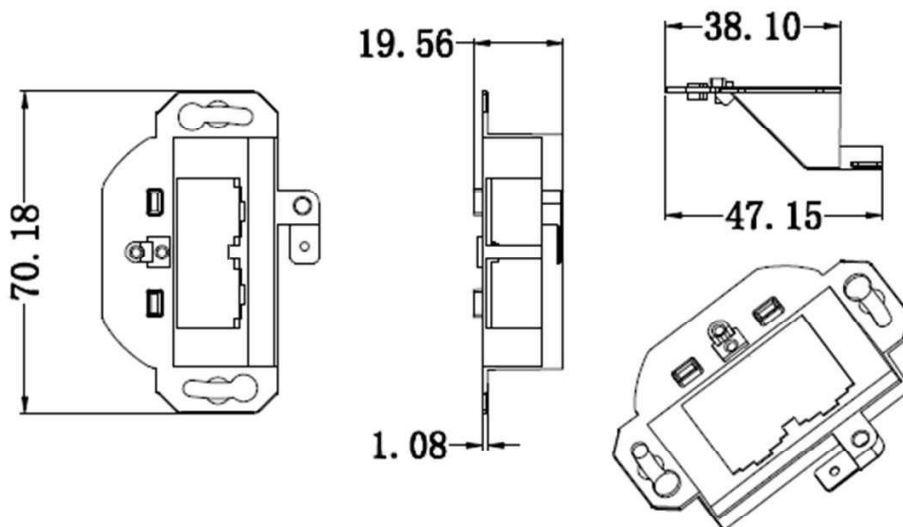


FEATURE:

- Designed for Premium Line die-casting keystone jacks (P/N 108524010)
- Uniform German style
- Material: zinc die casting alloy
- RoHS compliant



DRAWING:



ORDERING INFORMATION:

Part No.	123x02001
Description	Premium Line mounting frame for keystone module, 45° German style
x, Port number	1: 1 port 2: 2 ports
Packing	1pc/PE bag, 20pcs/box, 200pcs/ carton

Premium-Line Systems GmbH, Rosenheimer Str.89, D-83064 Raubling, Germany

► TEL: + 49(0)8035 9836 0 ► Fax: + 49(0)8035 9836 22

Premium Line Systems GmbH reserves the right to change specifications without prior notice.