

FEATURES:

- Performance conforms to ANSI/TIA 568.2-D, ISO/IEC 11801-1, EN 50173-1 Class Ea specification
- Slim size is ideal for interfaces where the spaces are tight
- Supports T568 A&B wiring & easy installation
- Real ISO/IEC 11801 short link performance guaranteed, passing the permanent link test with the length of 2m
- With its good & stable performance, this module earns a good sales result in the market
- Multi-nodes consolidation cord, reliable end to end solution & high data traffic applications
- RoHS compliant

**APPLICATIONS:**

- 10GBASE-T Ethernet
- 1000BASE-TX Gigabit Ethernet
- 1000BASE-T Gigabit Ethernet
- 100BASE-TX Fast Ethernet.
- 10BASE-T Ethernet
- Voice, Video and other applications.

Premium Line Systems GmbH reserves the right to change specifications without prior notice.

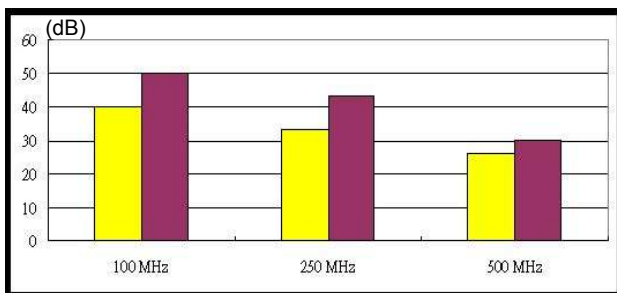
CHARACTERISTICS:

Dielectric Strength	1000V RMS for 1min
Current Rating	1.5Amp Max.
Insulation Resistance	10MΩ Min.
Contact Resistance	2mΩ per contact
Temperature Range	-10°C to 60°C
Humidity	10%~90%; non condensing
Admissible Conductor	22AWG ~ 26AWG insulation wire
Material Flame Rating	PC, UL94 V-0
Jack contact	Phosphor bronze, 50μ inch gold plated over nickel plated in contact area
	Operating life: Minimum 750 insertions
IDC Contacts	100μ inch nickel plated over phosphor bronze
	Operating life: Minimum 250 Re-terminations

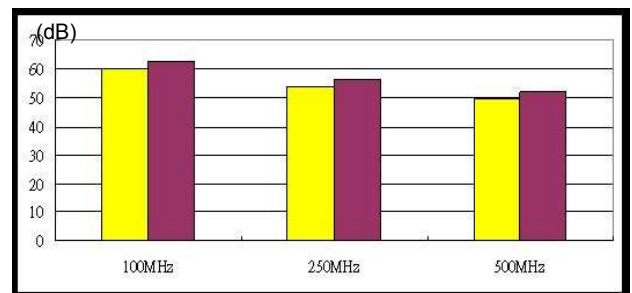
TYPICAL PERFORMANCE:

Channel Performance Data for 10G 6A Unshielded Solution

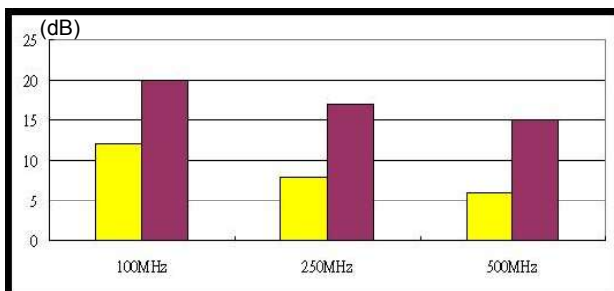
PSNEXT



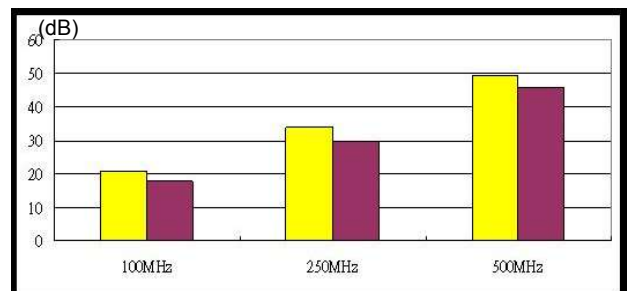
PSANEXT



Return Loss



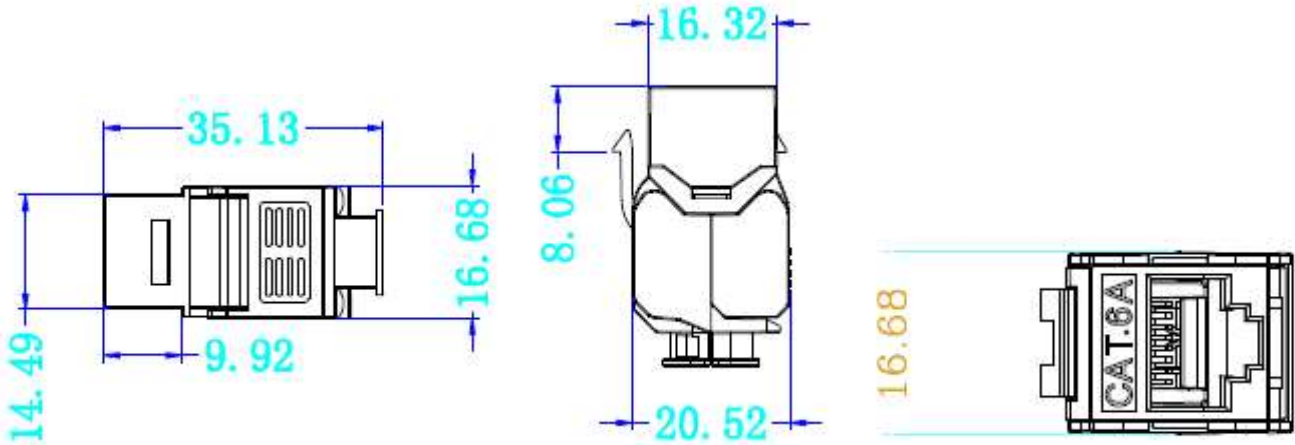
Insertion Loss



Legend: Yellow = Cat.6A Limit, Purple = Typical

Premium Line Systems GmbH reserves the right to change specifications without prior notice.

DRAWING:



ORDERING INFORMATION:

Part NO.	109324010
Description	Cat.6A 180° unshielded toolless keystone jack, slim type, white
Packing	1pc/ PE bag, 20pcs/box, 200pcs/ carton
	carton size 53.8*35.2*27 cm

Premium-Line Systems GmbH. Rosenheimer Str.89 D-83064 Raubling. Germany

► TEL:+49(0)8035 9836 0 ► Fax:+49(0)8035 9836 22

Premium Line Systems GmbH reserves the right to change specifications without prior notice.