

FEATURES:

- Conform to TIA/EIA-568.2-D, ISO/IEC 11801-1 and EN50173-1 category 6 specifications
- Supports T568 A&B wiring & easy installation
- Dual IDC connector can accept 22-26 AWG solid cables
- Termination by 110 or Krone tools
- Color: white, black, red, blue, green or yellow
- ETL Verified
- RoHS compliant



APPLICATIONS:

- 1000BASE-TX Gigabit Ethernet
- 1000BASE-T Gigabit Ethernet
- 100BASE-TX Fast Ethernet
- 10BASE-T Ethernet
- Voice, Video and other applications

Premium Line Systems GmbH reserves the right to change specifications without prior notice.

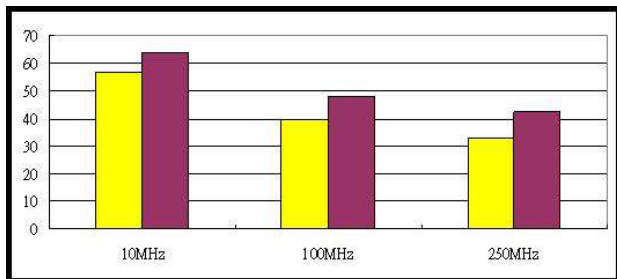
CHARACTERISTICS:

Dielectric Strength	1000V RMS for 1min
Current Rating	1.5Amp Max.
Insulation Resistance	10MΩ Min.
Contact Resistance	2mΩ per contact
Temperature Range	-10° to 60° C
Humidity	10%~90%; non condensing
Material Flame Rating	UL94 V-0
Admissible Conductor	22AWG ~ 26AWG insulation wire
8pin contact in PCB Jack	Phosphor bronze, 50μ inch gold plated over nickel in contact area
	Operating life: Minimum 750 insertions
IDC Contacts	100μ inch nickel plated over phosphor bronze
	Operating life: Minimum 250 re-terminations

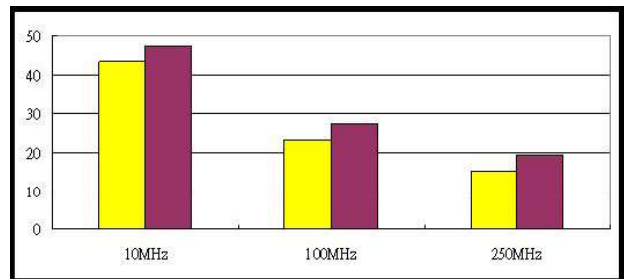
TYPICAL PERFORMANCE:

Channel Performance Data for Cat.6 UTP Solution

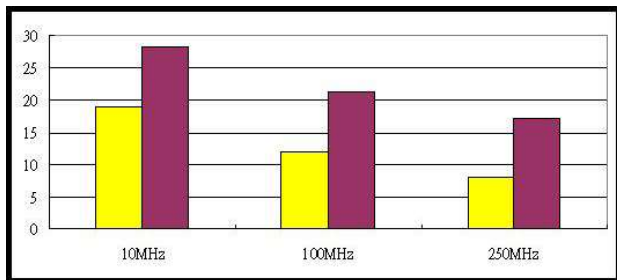
NEXT (dB)



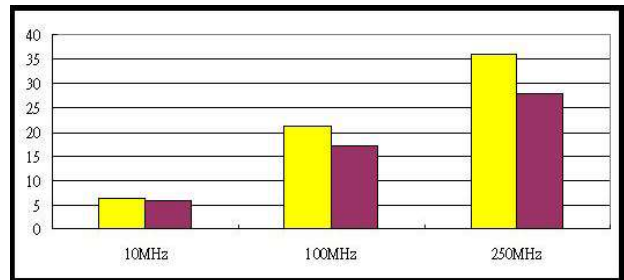
ELFEXT (dB)



Return Loss (dB)



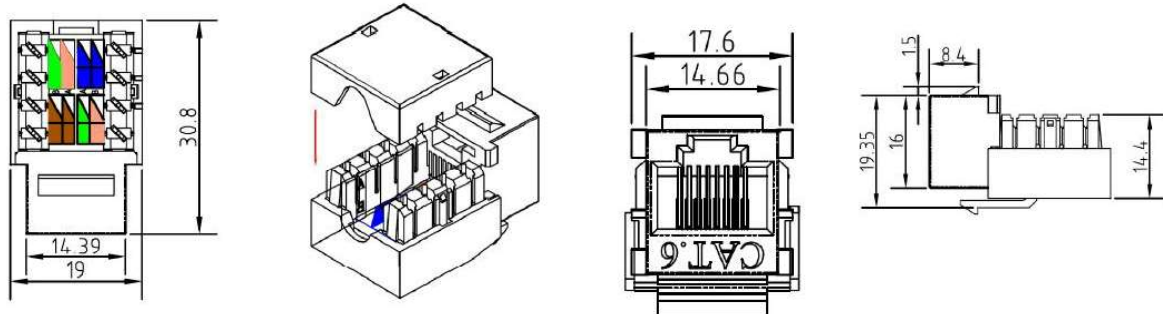
Insertion Loss (dB)



■ Cat.6 Limit ■ Typical

Premium Line Systems GmbH reserves the right to change specifications without prior notice.

DRAWING:



ORDERING INFORMATION:

Part NO.	1061110x0
Description	Cat.6 90° unshielded keystone jack, dual type IDC
x, color	1: white 2: black 3: red 4: blue 6: green 8: yellow
Packing	1pc/PE bag, 50pcs/box, 500 pcs/carton
	Carton dimension :53.8*35.2*27 cm weight: G.W. 7.9 KG / N.W. 3.6 KG

Premium-Line Systems GmbH, Rosenheimer Str.89, D-83064 Raubling, Germany

► TEL: + 49(0)8035 9836 0 ► Fax: + 49(0)8035 9836 22

Premium Line Systems GmbH reserves the right to change specifications without prior notice.